



PeerlessBoilers.com

Peerless® PINNACLE®

All repair parts orders - no minimum charges.

Please order with code number.

All prices quoted are in U.S. dollars.

All prices subject to change without notice.

All prices F.O.B. Bally, PA

PI-T50 & PI-T80

	Description	Quantity Required	Stock Code
	Flue Adapter	1	91595
45	Exhaust Manifold Tube	1	91596
46	Air Intake Baffle	1	91599
47	Tubing 1/4" ID	1	-
48	Blocked Vent Pressure Limit Switch	1	91498
49	Screw Phil Rd Hd , Stainless (Local Hdwr Supply)	2	-
50	Leveling Foot, when supplied	-	91561
51	Front Jacket, Plastic	1	-
	P125 Control Board & Display w/ Fuse PI-T50 – REV 1/2	1	91613
	P825 Control Board & Display w/ Fuse PI-T80 – REV 1/2	1	91614
54	Mounting Clip – Control Board	6	91602
55	Mounting Panel – Control Board	1	91523
56	Terminal Box (Local Hdwr Supply)	1	-
57	Hose Barb Stainless 1/4" IDT x 10-32 (Local Hdwr Supply)	1	-
58	O-Ring 007 (Local Hdwr Supply)	1	-
59	Nut, Hex. 10-32 , Stainless (Local Hdwr Supply)	1	-
60	Low Voltage Wiring Harness (not shown)	1	91577
	9 Pin Wiring Harness 120V (not shown) – REV 0, REV 1	1	91467
61	9 Pin Wiring Harness 120V (not shown) – REV 2	1	91580
	9 Pin Wiring Harness 120V (not shown) High Altitudes , (Obsolete)	1	91486
62	5 Pin Wiring Harness 120V Harness (not shown) – REV 0, REV 1	1	91473
	5 Pin Wiring Harness 120V (not shown) – REV 2	1	91579
63	Spare Fuse, "Slow blow", Board 6.3Amp, Radio Shack # 270-1068	1	91471
64	Nut, Hex. M3, Stainless (Local Hdwr Supply)		-
65	Gasket, Exhaust Tube	1	91598
66	Vent Plug – 3/4" NPT Black PVC	1	-
67	3/4" NPT Nipple, Black PVC	1	-
68	Cable Clamp	1	-
69	3/4" NPT Tee, Black PVC	1	-
70	Condensate Hose	1	91518
71	Spring Clip, (Obsolete)	2	-
	Plastic Hose Clamp, (Current)	2	54139
72	Reducing Nipple Brass 1-1/4" NPT x 1" NPT	2	91499
N/S	Spark Ignition Cable (not shown) – P125, P825	1	91476
N/S	P125 20 Pin Control Harness (not shown) – REV 0, REV 1	1	91464
Vent Termination Kits			
N/S	2" Stainless Steel Vent Termination Kit	1	91465
N/S	2" Concentric Vent Termination Kit	1	91469
N/S	2" Sch 40 PVC Coupling	1	91453
N/S	2" Sch 40 PVC Tee	1	91454
N/S	2" Stainless Steel Screen	1	91451
N/S	3" Stainless Steel Vent Termination Kit	1	91402
N/S	3" PVC Coupling	1	91466
N/S	3" PVC Tee	1	91452
N/S	3" Stainless Steel Screen	1	91437
Accessories			
N/S	Condensate Neutralizer	1	91438
N/S	PC Service Software – REV 1	1	91490
N/S	PC Service Software – REV 2	1	91591
N/S	PC Interface Cable – REV 1, REV 2	1	91470
N/S	Analog Interface Adapter – REV 1, REV 2	1	91488
N/S	Pressure Temperature Gauge	1	91434
N/S	Outdoor Sensor – REV 2	1	91587
N/S	Indirect Tank Sensor – REV 2	1	91589
N/S	Conversion Kit PI-T50/PI-T80 (Nat to LP/ LP to Nat)	1	90553

§ = Limited availability of parts



PeerlessBoilers.com

Peerless® PINNACLE®

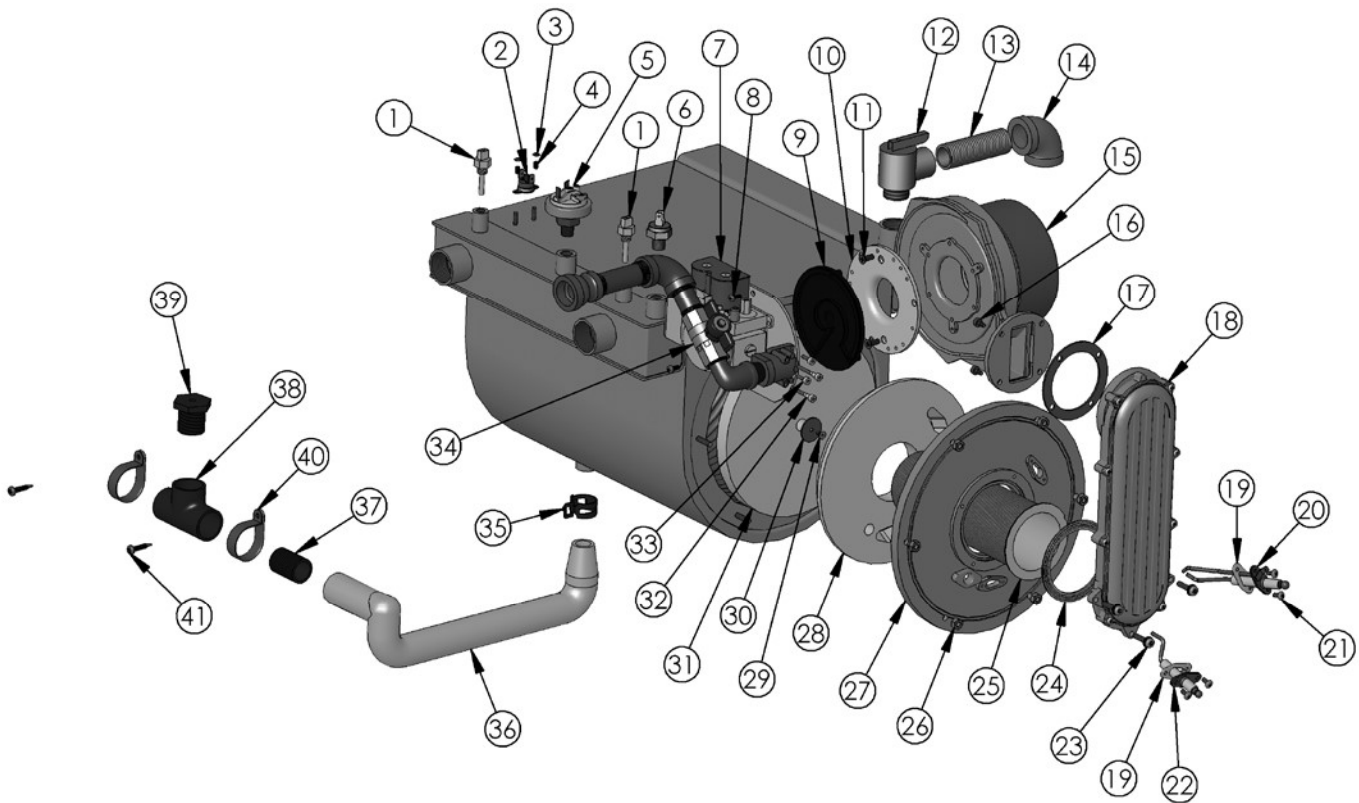
All repair parts orders - no minimum charges.

Please order with code number.

All prices quoted are in U.S. dollars.

All prices subject to change without notice.

All prices F.O.B. Bally, PA



PI-80, PI-140 & PI-199



PeerlessBoilers.com

Peerless® PINNACLE®

All repair parts orders - no minimum charges.

Please order with code number.

All prices quoted are in U.S. dollars.

All prices subject to change without notice.

All prices F.O.B. Bally, PA

PI-80, PI-140 & PI-199

	Description	Quantity Required	Stock Code
1	Temperature Sensor	2	91435
2	Flue Limit Switch	1	91429
3	Spring Clip, (Local Hdwr Supply)	2	-
N/S	Switch Air Pressure	-	91428
	Water Pressure Switch, Welded Header, Tapered Thread	1	91609
6	Water Temperature Limit Switch	1	91410
	Gas Valve Honeywell – REV 0, REV 1	1	91426
	Venturi – Honeywell – PI-80 – REV 0, REV 1	1	91481
	Venturi – Honeywell – PI-140, PI-199 – REV 0, REV 1	1	91482
	Gas Valve Dungs – PI-80 – REV 2	1	91538
	Gas Valve Dungs – PI-140 – REV 2	1	91539
	Gas Valve Dungs – PI-199 – REV 2	1	91540
N/S	Conversion Kit PI-80, Nat to LP (Honeywell Valve) 4.0, WHA.	1	90334
N/S	Conversion Kit PI-140, Nat to LP (Honeywell Valve) 5.3 WHA.	1	90335
N/S	Conversion Kit PI-199, Nat to LP (Honeywell Valve) 5.4 WHA.	1	90336
N/S	PI-80, PI-140, PI-199 Conversion Kit Conversion Kit LP to Nat (Honeywell Valve) WHA.	1	90337
N/S	Vent Pressure Switch, Rev.0	1	91428
8	Screw, M4 x 12mm, (Local Hdwr Supply)	3	-
	Swirl Plate, PI-80, White, PP	1	91542
9	Swirl Plate, PI-140, PI-199, Grey PP	1	91543
10	Gas Valve Adapter Plate Dung	1	91545
11	Screw, M5 x 12mm, (Local Hdwr Supply)	-	-
12	Relief Valve	1	91430
13	3/4 NPT X 3", Brass Nipple,	1	-
14	Elbow - Brass 3/4 NPT	1	-
	Combustion Blower – PI-80	1	91423
15	Combustion Blower – PI-140	1	91424
	Combustion Blower – PI-199	1	91425
-	Blower Outlet Tap Boot – REV 1, REV 2, (When required)	1	91446
16	Screw, M5 x 14mm, (Local Hdwr Supply)	4	-
	Gasket – Blower Outlet – PI-80 – REV 0, REV 1	1	91443
17	Gasket – Blower Outlet – PI-140, PI-199 – REV 0, REV 1	1	91441
	Gasket – Blower Outlet – PI-80, PI-140, PI-199 – REV 2	1	54122
	Premix Channel REV 1, Not Available	1	-
18	Premix Channel – PI-80 – REV 2	1	91548
	Premix Channel – PI-140, PI-199 – REV 2	1	91549
19	Gasket – Flame Sensor / Igniter	1	91491
	Electrode Spark – REV. O - 1	1	91411
20	Electrode Spark – REV 2	1	91550
21	Screw, M4-070 x 8mm, (Local Hdwr Supply)	4	-
	Flame Sensor – REV 0, REV 1	1	91412
	Flame Sensor – REV 2	1	91551
23	Screw M5 x 22 mm Torx T25, (Local Hdwr Supply)	8	-
24	Gasket – Burner Tube (Internal)– REV 0, REV 1	1	91440
	Gasket – Burner Intake, (External) – REV 2	1	91552
	Burner Tube – PI-80 – REV 0, REV 1 (Flange)	1	91407
	Burner Tube – PI-80 – REV 2	1	91553
	Burner Tube – PI-140 – REV 0, REV 1 (Flange)	1	91408
	Burner Tube – PI-140 – REV 2	1	91554
	Burner Tube – PI-199 – REV 0, REV 1 (Flange)	1	91409
	Burner Tube – PI-199 – REV 2	1	91555
26	Nut, M10 , (Local Hdwr Supply)	6	-
27	Burner Door – REV 0, REV 1	1	91601
	Burner Door – REV 2	1	91557
28	Refractory Burner Door – REV 0, REV 1	1	91433
	Refractory Burner Door – REV 2	1	91558
29	Screw, M4 X 8 mm, Stainless, (Local Hdwr Supply)	1	-
30	Washer, Stainless (Local Hdwr Supply)	1	-
31	Target Wall Ceramic	1	91432
32	Screw, M4 X 30 mm, Stainless, (Local Hdwr Supply)	2	-
33	Screw, M4 X 12 mm, Stainless, (Local Hdwr Supply)	2	-
34	Manual Shut-off Valve, 1/2" NPT, (Local Hdwr Supply)	1	54130
	Spring Clip, (Obsolete)	2	-
35	Plastic Hose Clamp, (Current)	2	54139
36	Condensate Trap Assembly,	1	91576
37	3/4" NPT Nipple, Black PVC , (Local Hdwr Supply)	1	-
38	3/4" NPT Tee, Black PVC, (Local Hdwr Supply)	1	-
39	3/4" NPT vent plug, hex head, Black PVC, (Local Hdwr Supply)	1	-
40	Cable Clamp	1	-
41	Screw, #8 X 1/2" Stainless, (Local Hdwr Supply)	4	-

*Note: HTP has instructions to drill out tear drop opening, to a Figure "8" to accommodate later style igniter.



PeerlessBoilers.com

Peerless® PINNACLE®

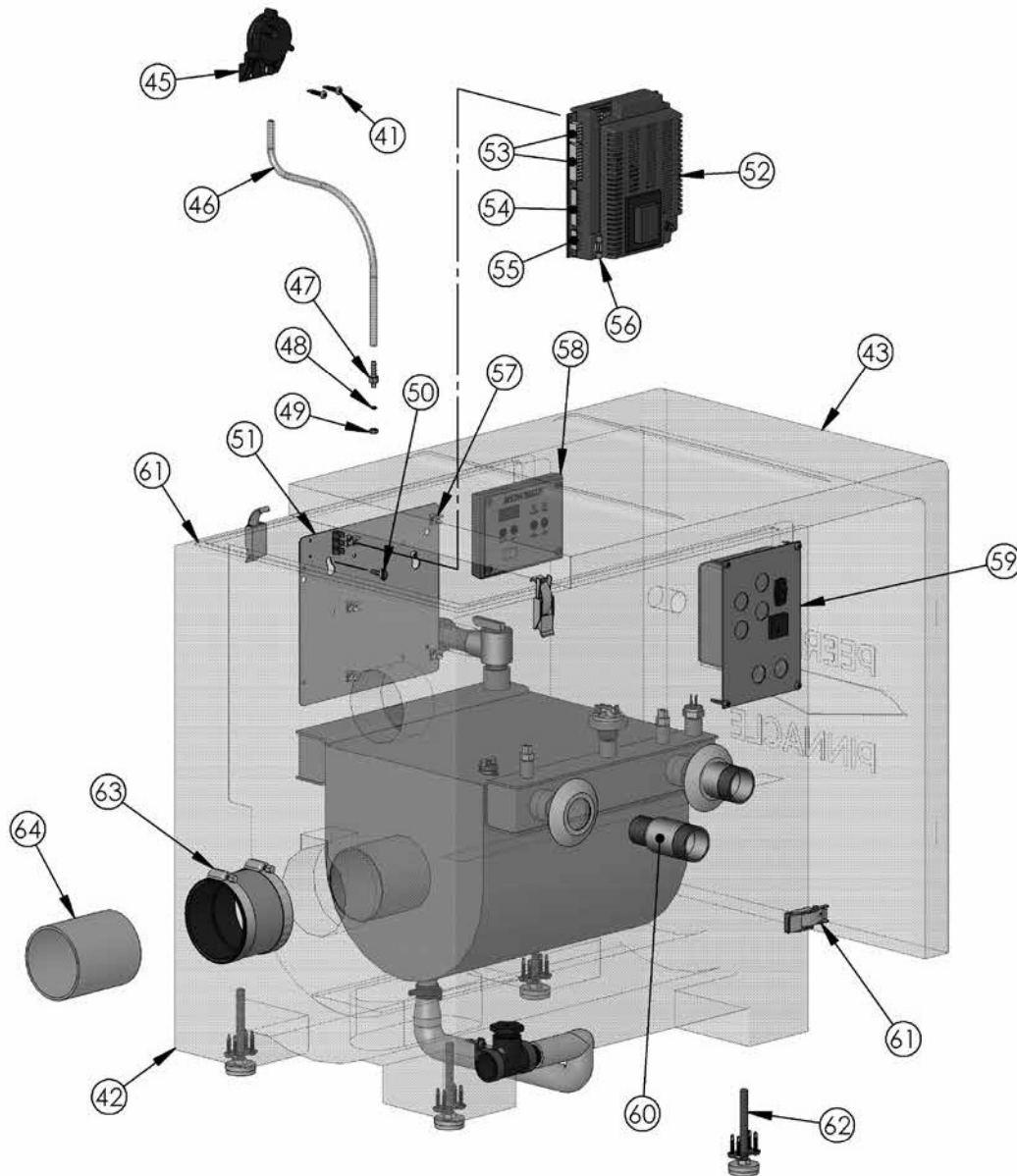
All repair parts orders - no minimum charges.

Please order with code number.

All prices quoted are in U.S. dollars.

All prices subject to change without notice.

All prices F.O.B. Bally, PA



PI-80, PI-140 & PI-199



PeerlessBoilers.com

Peerless® PINNACLE®

All repair parts orders - no minimum charges.

Please order with code number.

All prices quoted are in U.S. dollars.

All prices subject to change without notice.

All prices F.O.B. Bally, PA

PI-80, PI-140 & PI-199

	Description	Quantity Required	Stock Code
45	Blocked Vent Pressure Limit Switch, Rev 1 & 2	1	91498
46	Tubing 3/16" ID PVC, 2 ft.	1	91626
51	Mounting Panel – Control Board Plastic	1	91445
	Mounting Panel – Control Board Metal	1	91523
Control Board Kits			
	926 Upgrade Kit Control Board & Display (80 prog.) Rev 0	1	91623
	926 Upgrade Kit Control Board & Display (140 prog.) Rev 0	1	91624
	926 Upgrade Kit Control Board & Display (199 prog.) Rev 0	1	91625
	CTRL Board 926 w/ Display (PI-80 Prog.) Rev 1	1	91615
	CTRL Board 926 w/ Display (PI-140 Prog.) Rev 1	1	91616
	CTRL Board 926 w/ Display (PI-199 Prog.) Rev 1	1	91617
	CTRL Board 926 w/ Display (PI-80 Prog.) Rev 2	1	91619
	CTRL Board 926 w/ Display (PI-140 Prog.) Rev 2	1	91620
	CTRL Board 926 w/ Display (PI-199 Prog.) Rev 2	1	91621
53	Low Voltage Wiring Harness (not shown) – REV	1	91418
	Low Voltage Wiring Harness (not shown) – REV 1, REV	1	91577
54	9 Pin Wiring Harness (not shown) – PI-1 40, PI-199 – REV	1	91580
	9 Pin Wiring Harness (not shown) – PI-80 – REV 1	1	91475
	9 Pin Wiring Harness 120V (not shown) High Altitudes , (Obsolete)	1	91487
55	5 Pin Wiring Harness (not shown)	1	91579
56	Spare Fuse, "Slow blow", Board 6.3Amp, Radio Shack # 270-1068	1	91471
57	Control Board Mounting Clip	6	91602
58	Display module, 125 / 825 Display w/ ribbon connector, red conneter	1	91461
	Display module, 926 Display w/ ribbon connector (Current), connector large	1	91612
59	Terminal Box	1	91603
60	Reducing Nipple Brass 1-1/4" NPT x 1" NPT	2	91499
61	Latch & Gasket Assembly – PI-80	2	91582
	Latch & Gasket Assembly – PI-1 40, PI-199	2	91583
62	Leveling Foot	4	91561
63	Exhaust Coupling, Fernco Coupling, (Local Hdwr Supply)	1	-
64	3" PVC, Stub, (Local Hdwr Supply)	1	-

	Description	Quantity Required	Stock Code
Harness (Not Pictorial)			
N/S	Transformer & Harness (WHA) – REV 0	1	91413
N/S	Spark Ignition Cable (WHA) – REV 0	1	91414
N/S	ECO Cable Harness (WHA) – REV 0	1	91415
N/S	Line Cable Voltage Harness (WHA) – REV 0, (obsolete)	1	91416
N/S	Thermostat Harness (T-T) (WHA) – REV 0, (obsolete)	1	91417
N/S	Circulator Harness (WHA) – REV 0	1	91419
N/S	Inlet Temperature Sensor Harness (WHA) – REV 0	1	91421
N/S	Blower Molex Harness (WHA) – REV 0	1	91436
N/S	P125 Edge Card Adapter Harness – P125 Board w/ Old Blower, (obsolete)	1	91444
N/S	P125 Ignition Cable – REV 1, REV 2	1	91476
Vent Termination Kits			
-	4" Stainless Steel Vent Termination Kit	-	91401
Accessories			
N/S	Gas Piping Assembly (w/ shutoff valve & screws) – REV 2	-	91584
N/S	Pressure Temperature Gauge	-	91434
N/S	2 Pin Stake-on, Inlet Temperature Sensor Harness (obsolete)	1	91421
N/S	2 Pin, Inlet Probe Cable Harness MOLEX	1	91435
N/S	Com Wires (Blue & Pink)	1	91529
N/S	Alarm Wire (red) 120V	1	91522